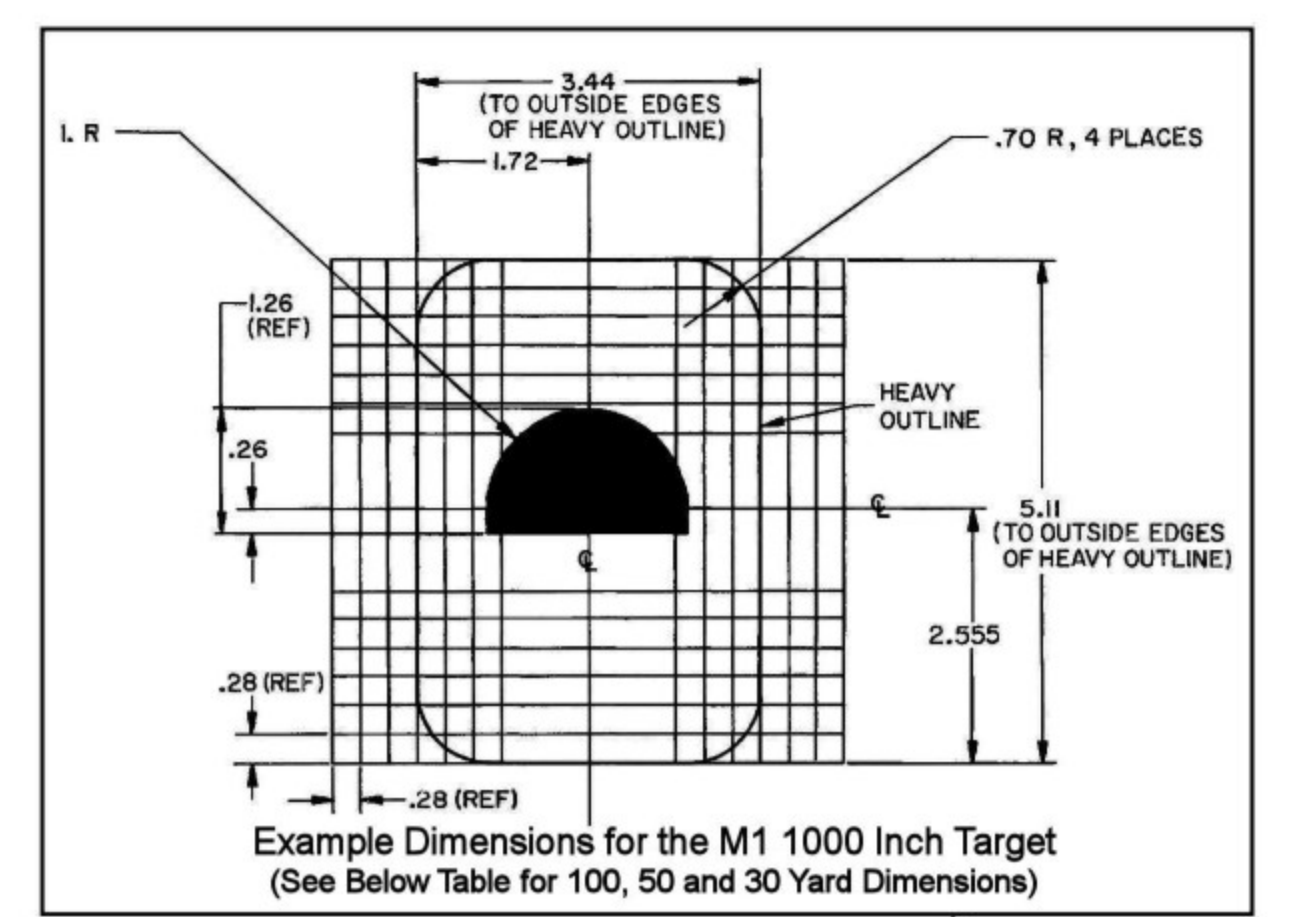
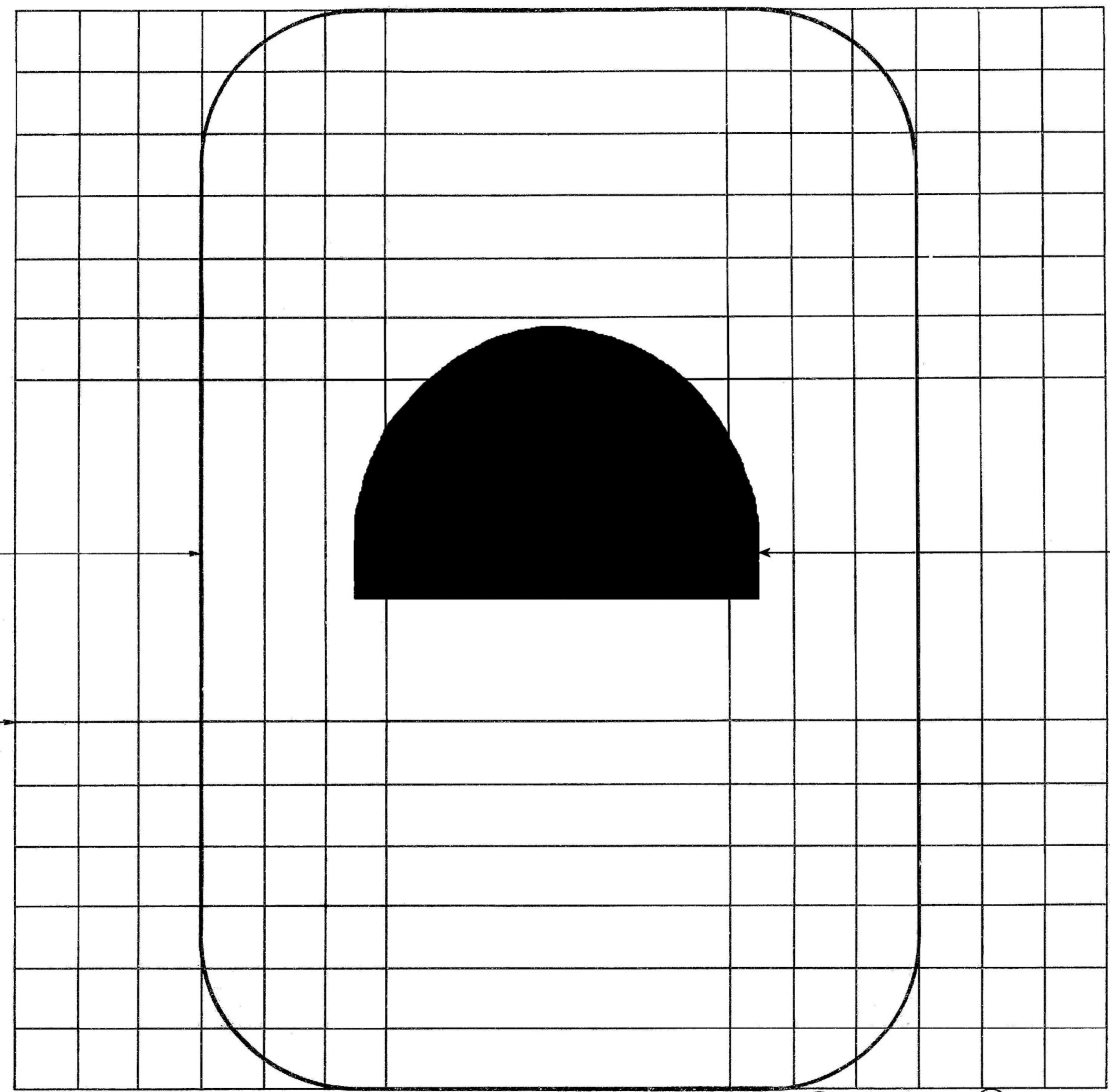


- NOTES: (SEE CHART)
1. SIGHTING IMAGE "A" DIA WITH SQUARE LOWER CORNERS.
 2. GRID SPACING "B"
 3. HEAVY OUTLINE "C" WIDE X "D" HIGH WITH "E" RADIUS AT CORNERS
 4. BOTTOM OF SIGHTING IMAGE "F" BELOW HORIZONTAL ϕ OF HEAVY OUTLINE
 5. INK SHALL BE GOOD QUALITY, PERMANENT BLACK PRINTERS INK, FREE FROM GLOSS.
 6. PAPER, BOND, WHITE SPECIFICATION UU-P-121L TYPE IX (JCP-610) 17 X 22 INCHES WEIGHT PER 1000 SHEETS - 40LBS.

(D 1)



This Blueprint Has Been Modified to Include
The Above Example for Clarity of the Dimensions
by Nicolaus Associates

HEAVY OUTLINE

SIGHTING IMAGE

(B) DEPICTION SHOWN IS FOR 100 YARD TARGETING DIAGRAM.

TARGETING DIAGRAM FOR	DIMENSIONS FOR DIAGRAM (INCHES)						
	A	B	C	D	E	F	G
100 YDS	5.0	1.0	11.6	17.6	2.5	2.5	5.6
50 YDS	3.1	0.5	5.95	8.95	1.25	1.34	2.95
30 YDS	2.1	0.3	3.69	5.49	.75	.37	1.89
1000 INCHES	2.0	.28	3.44	5.11	.70	.26	1.77

* FOR REBUILD RIFLES. (B)

WITH THE REAR SIGHT SET AT ZERO WINDAGE, THE APERTURE ELEVATED EIGHT CLICKS FROM THE LOWEST POSITION, AND THE SIGHTS ALIGNED AT SIX O'CLOCK ON THE SIGHTING IMAGE, FIVE CONSECUTIVE SHOTS SHALL GROUP WITHIN A CIRCLE HAVING "G" DIA. THIS CIRCLE SHALL BE WITHIN THE HEAVY OUTLINE.

PHYSICAL PROPERTIES		TOLERANCES ON DECIMALS 2-010		UNLESS OTHERWISE SPECIFIED DIMENSIONS ARE IN INCHES		ORIGINAL DATE OF DRAWING 25 FEB 1954	
YF		FRACTIONS		DRAFTSMAN A. J. A.		CHECKER	
TS		SEE NOTE 6		TRACER		CHECKER	
ELZ	A 12002925	RIFLE, U.S. CAL		ENGINEER R. E. A.		ENGINEER	
RA		.30M1, MIC&MID		SUBMITTED			
SH		HEAT TREATMENT		A. J. Lynch		ORD WTS., ORD CORPS.	
RH		FINAL PROTECTIVE FINISH		APPROVED BY ORDER OF THE CHIEF OF ORDINANCE		W. S. Galt	
APPLICATION		DO NOT APPLY PART NO.		CODE IDENT NO. 19204		REVISIONS	
						E (1) SEE ERR HQR 30600 15 JAN 78	
						D (1-3) SEE EO RIA-14542 16 JAN 68	
						C' SEE EO SA 24529 10 JUL 58	
						B ⁵ ECO 22479 25 APR 55	
						A ⁵ ECO 20878 19 MAY 54	
						SYM DESCRIPTION DATE APPROVAL	
						DIAGRAM, TARGETING	
						ROCK ISLAND, ARSENAL	
						DEPT OF THE ARMY	
						ROCK ISLAND, ILL. 61201	
						DWG SIZE D 7266850	
						SCALE NONE UNIT WT	
						REF SA 23237	
						REF SA 23232	
						REF SA 23215	